

CBAM190.2-0m6

ETK ECU Adapter Cable (shield on
ECU-housing), Lemo 1B PHG - JST PHR
(4fc-5fc), 0m6

Data Sheet

Copyright

The data in this document may not be altered or amended without special notification from ETAS GmbH. ETAS GmbH undertakes no further obligation in relation to this document. The software described in it can only be used if the customer is in possession of a general license agreement or single license. Using and copying is only allowed in concurrence with the specifications stipulated in the contract.

Under no circumstances may any part of this document be copied, reproduced, transmitted, stored in a retrieval system or translated into another language without the express written permission of ETAS GmbH.

© Copyright 2018 ETAS GmbH, Stuttgart

The names and designations used in this document are trademarks or brands belonging to the respective owners.

Document CBAM190.2 R03_EN – 09.2018

Contents

1	Introduction.....	5
1.1	View.....	5
1.2	Installation.....	6
2	Technical Data	7
2.1	Mechanical Dimensions.....	7
2.2	Temperature Range	7
3	Ordering Information	8
4	ETAS Contact Addresses.....	9

Figures

Figure 1: View5
Figure 2: Installation6
Figure 3: Mechanical dimension.....7

1 Introduction

Serial 100 MBit/s Cable Adapter for ETKs. Shield not insulated. Usable for ECUs with shielded housing.

1.1 View



Figure 1: View

1.2 Installation

Permanent Power Supply inside ECU not available.

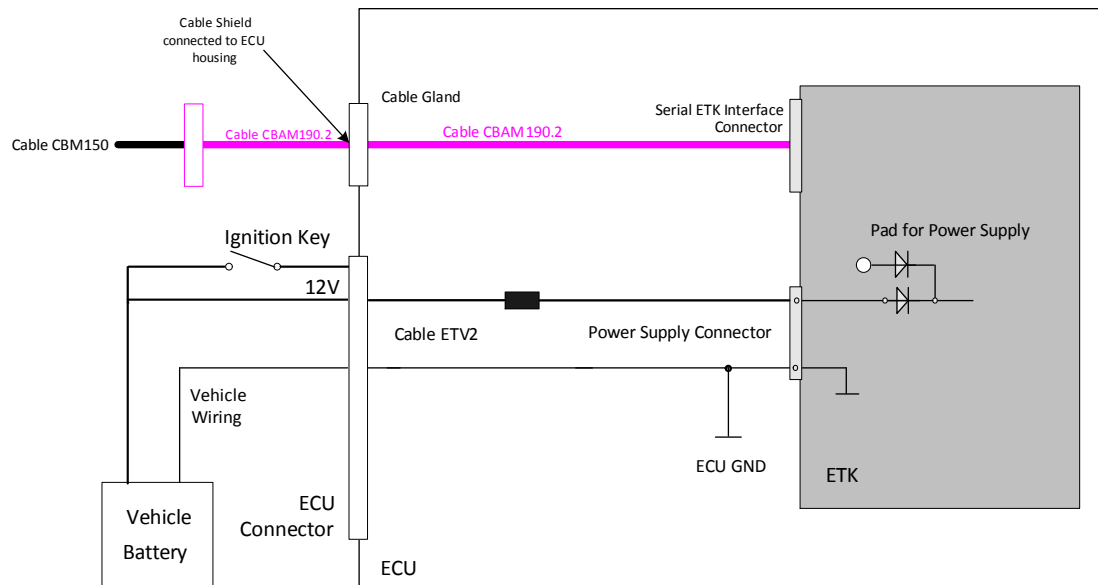


Figure 2: Installation

2 Technical Data

2.1 Mechanical Dimensions

All dimensions in mm.

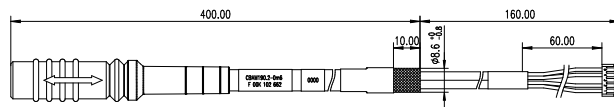


Figure 3: Mechanical dimension

2.2 Temperature Range

Condition	Temperature
Operating Temperature	-40°C - +125°C

3 **Ordering Information**

Short Name	Order - Number
CBAM190.2-0m6	F 00K 102 662

4 ETAS Contact Addresses

ETAS HQ

ETAS GmbH

Borsigstraße 24

70469 Stuttgart

Germany

Phone: +49 711 3423 0

Fax: +49 711 3423 2106

WWW: www.etas.com*ETAS Subsidiaries and Technical Support*

For details of your local sales office as well as your local technical support team and product hotlines, take a look at the ETAS website:

ETAS subsidiaries

WWW: www.etas.com/en/contact.php

ETAS technical support

WWW: www.etas.com/en/hotlines.php