



CBEB121.1

100 Mbit/s BroadR Reach Connection Cable
plus Power for CBEB100, Lemo 1B FGA -
DSUB plus banana connector (2mc-9fc)

Data Sheet

Copyright

The data in this document may not be altered or amended without special notification from ETAS GmbH. ETAS GmbH undertakes no further obligation in relation to this document. The software described in it can only be used if the customer is in possession of a general license agreement or single license. Using and copying is only allowed in concurrence with the specifications stipulated in the contract.

Under no circumstances may any part of this document be copied, reproduced, transmitted, stored in a retrieval system or translated into another language without the express written permission of ETAS GmbH.

© **Copyright 2020** ETAS GmbH, Stuttgart

The names and designations used in this document are trademarks or brands belonging to the respective owners.

Document CBEB121.1 R03 EN – 01.2020

Contents

1	Introduction.....	4
2	Installation	5
3	Technical Data.....	6
3.1	Mechanical Dimensions.....	6
3.2	Connectors	6
3.3	Temperature Range.....	6
3.4	Tightness.....	7
4	Ordering Information	8
5	ETAS Contact Addresses	9
	Figures.....	10

1 Introduction

CBEB121.1 is a 100Mbit/S automotive Ethernet cable to connect a CBEB100.1 Mediaconverter with a BR_XETK cable adapter (e.g. CBAM290.1) plus Banan plugs to supply the media converter

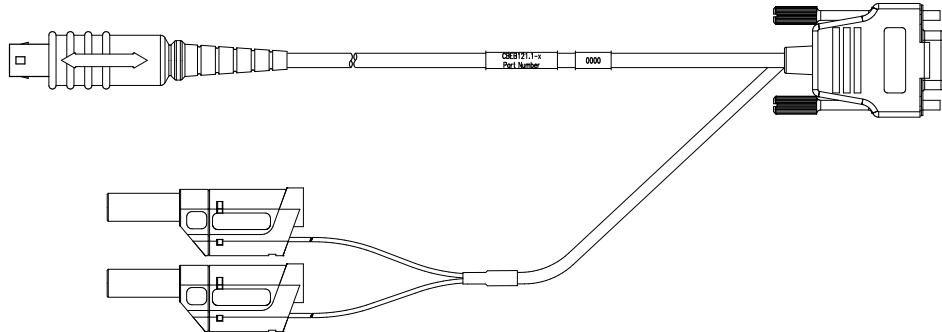


Figure 1 View

i **NOTE**

minimum bending radius for the cable is 16mm.

2 Installation

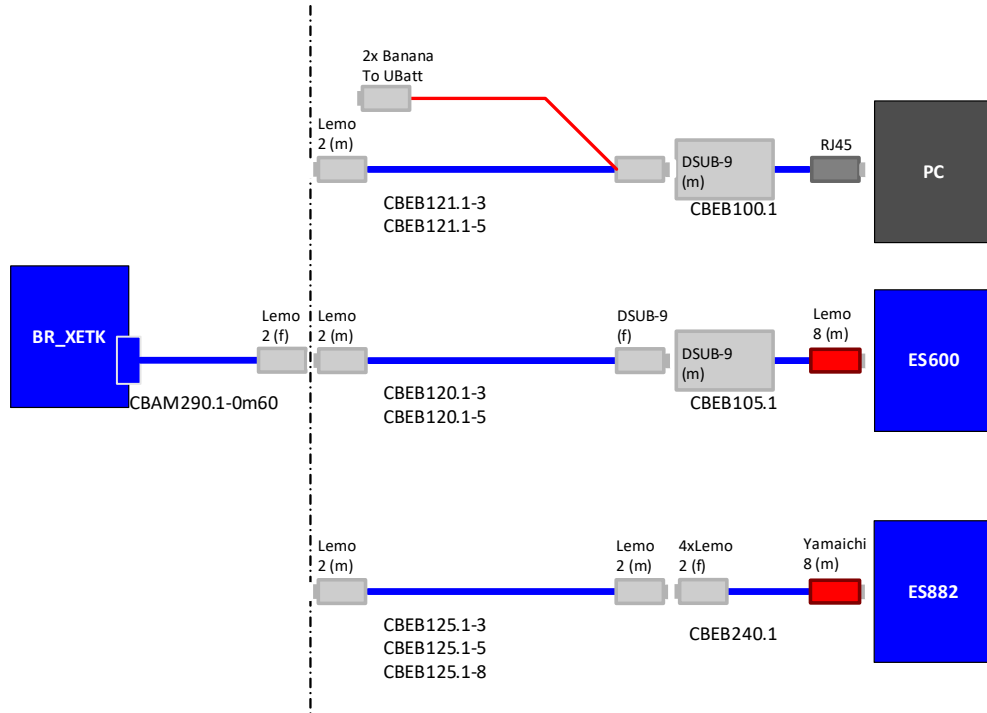


Figure 2 Installation

3 Technical Data

3.1 Mechanical Dimensions

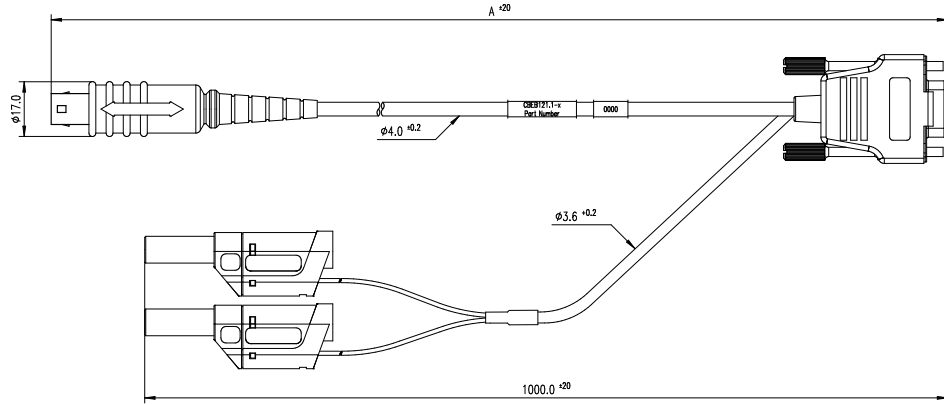


Figure 3 Mechanical Dimensions

Short Name	Length "A"
CBEB121.1-3	300cm
CBEB121.1-5	500cm

3.2 Connectors

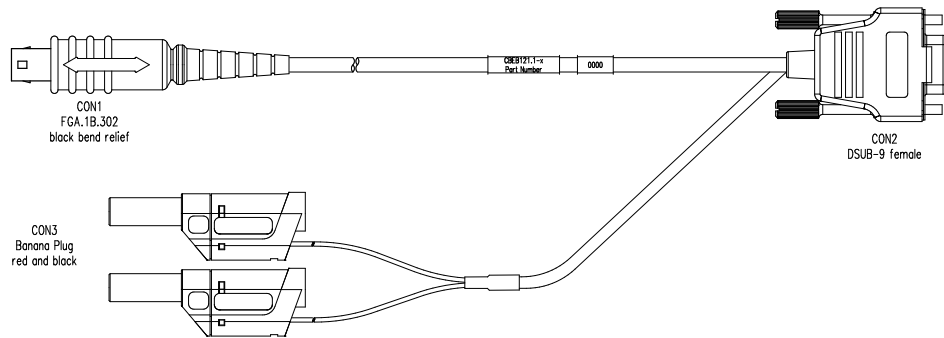


Figure 4 Connector Description

Connector	Target
CON1	BR_XETK Cable-Adapter
CON2	CBEB105 Mediaconverter
CON3	Battery

3.3 Temperature Range

Condition	Temperature
Operating Temperature CON1 Side	-40°C - +105°C
Operating Temperature CON2, CON3 Side	-40°C - +70°C

3.4 Tightness

Condition	IP Code
CON1 (plugged)	IP65

4 Ordering Information

Short Name	Order - Number
CBEB121.1-3	F 00K 111 113
CBEB121.1-5	F 00K 111 114

5 ETAS Contact Addresses

ETAS Headquarters

ETAS GmbH
Borsigstraße 24
70469 Stuttgart
Germany

Phone: +49 711 3423-0
Fax: +49 711 3423-2106
Internet: www.etas.com

ETAS Subsidiaries and Technical Support

For details of your local sales office as well as your local technical support team and product hotlines, take a look at the ETAS website:

ETAS subsidiaries Internet: www.etas.com/en/contact.php
ETAS technical support Internet: www.etas.com/en/hotlines.php

Figures

Figure 1	View	4
Figure 2	Installation.....	5
Figure 3	Mechanical Dimensions.....	6
Figure 4	Connector Description	6