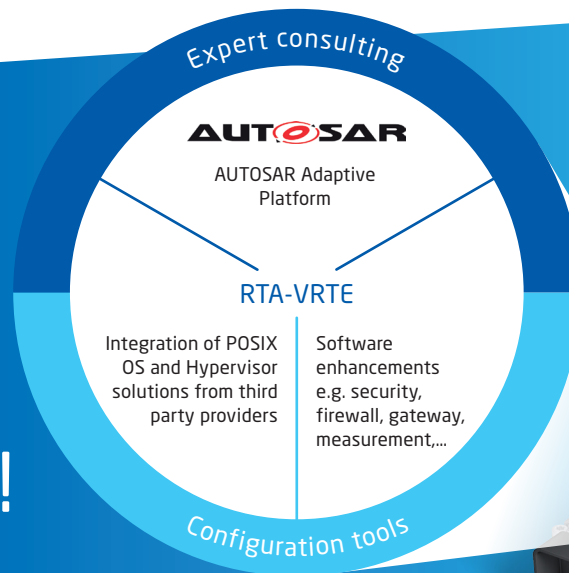


Platform Software Framework for Vehicle Computer RTA-VRTE

AUTOSAR Adaptive⁺⁺ ready to go!



Use cases

Ready-to-use basic software framework including all services to operate the functional part of the software.

Can be used for all powerful, micro-processor-based vehicle computers, e.g. for domain controllers, HAD/ADAS and connectivity applications with the following requirements:

- AUTOSAR Adaptive architectures
- Software from various suppliers and safety classes on one control unit
- Software updates in the field
- Safety-critical systems up to ASIL D
- Vehicle-independent SW applications

Implementation

Get started quickly with a flexible solution:

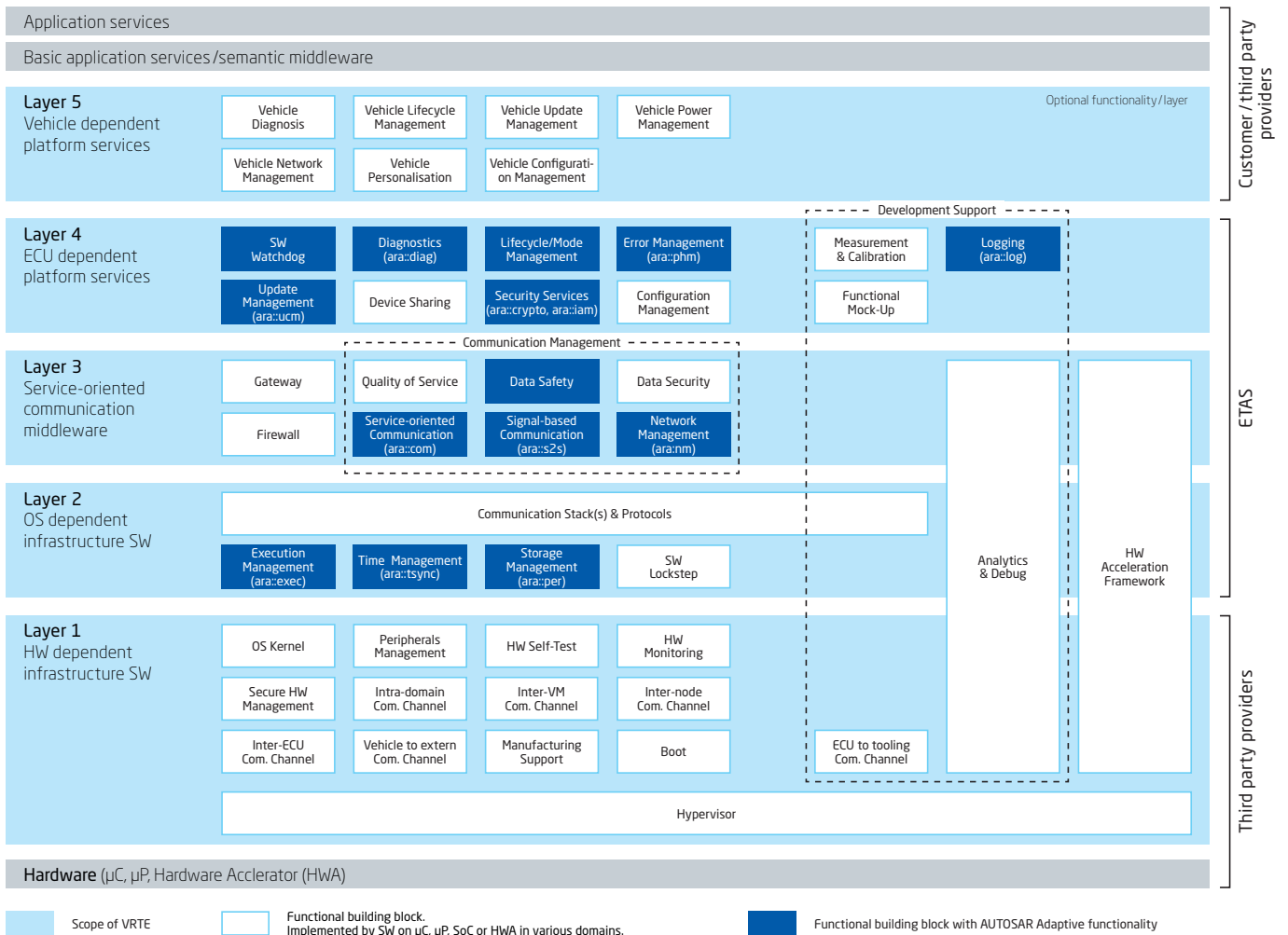
- Ready to go Software Development Kit (SDK): The Early Access Program, consisting of basic software framework, configuration tools, training and consulting
- Customer-specific, modular, expandable and hardware-independent assembly solution
- Easy integration into the development landscape through a modular and integrated development environment for configuration and application development

Benefits

- Access to extensive know-how through training and consulting: vehicle competence, expertise in E/E architectures, complex real-time software, IoT, and automotive hardware (in-vehicle and backend)
- High functional safety and reliability following automotive requirements as well as real-time behavior combined with cyber-security
- System security and easy testability through clear separation of software components with automotive hypervisor

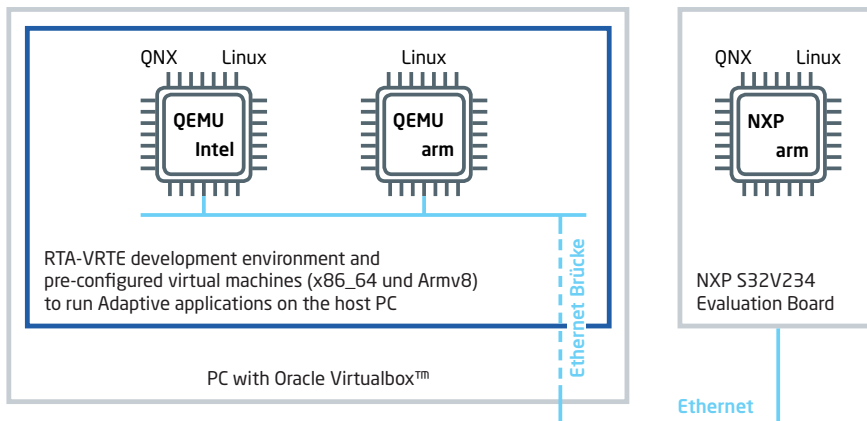
Software components of RTA-VRTE

The software components shown here are a comprehensive foundation for safe vehicle computers based on the AUTOSAR Classic and Adaptive standards.



Structure of the Early Access Program

The Early Access Program makes it possible to start immediately with AUTOSAR Adaptive functions. ETAS consulting and training provides the necessary expertise.



QNX virtual machines licences must be purchased separately
Eval board NXP S32V234 EVB must be purchased separately

Services

- Ready to go development environment
- Temporary free updates
- AUTOSAR Adaptive and RTA-VRTE training – also on-site
- Consulting
- RTA-VRTE runtime software

Are you interested in ETAS products?
Please contact our sales specialists:
info@etas.com

More product information:
www.etas.com/vrte